

## CERTIFICATION



HACCP International



ISO9001

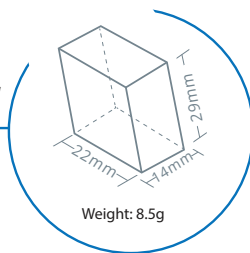
# ICE MATE

by  **HOSHIZAKI**

## SRM-450AB-S-14-B-501SA

### ICE MAKER

#### HALF DICE



ICEMATE is committed to bringing high-efficiency / energy-saving, and high quality ice-making product to people who have dreams and desire to create their own business with the best scientific technology and manufacturing technology.

### KEY FEATURES

#### SAFETY AND HYGIENE ASSURED ICE MACHINE

##### AUTO-CLEANING



Timely maintenance of water system can extend life of equipment.

##### PURE ICE



Overflow self-cleaning function, ensuring ice hygiene

##### IoT



##### Slow melt Dilution



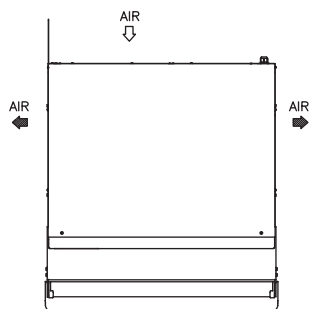
**Slow Dilution**  
Slower melting speed due to -7°C of inside temp of ice cube

##### Powerful Ice Making

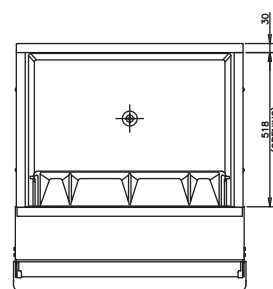


##### Energy & Water Saving, Quiet Operation

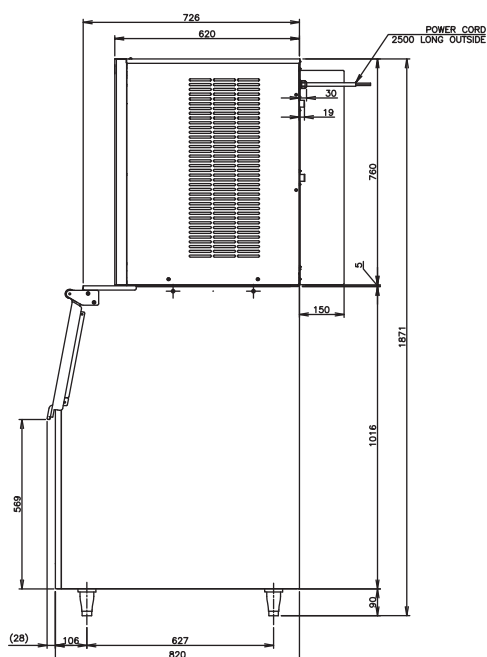




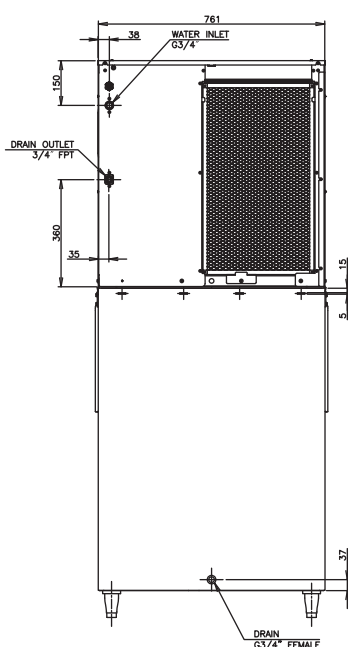
**BIN TOP VIEW**



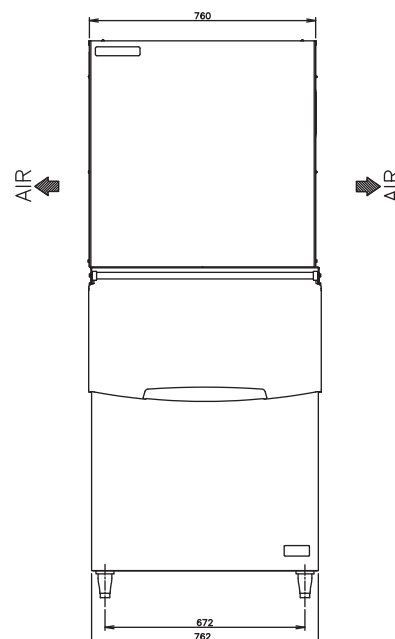
**RIGHT SIDE**



**BACK SIDE**



**FRONT SIDE**



**SPECIFICATIONS**

Ice Dimensions (W x D x H)	29 x 14 x 22 mm
Outside Dimensions (W x D x H)	762 x 820 x 1871 (~1901) mm
Package Dimensions (W x D x H)	Ice Maker: Pallet+Carton: 865 x 720 x 945mm Storage Bin: 866 x 924 x 1138mm
Weight (Net / Gross)	Ice Maker: 95kg / 105kg Storage Bin: 47kg / 57kg
Amperage / Starting Amperage	10.83A/45.7A
Electrical Consumption	(AT32°C / WT21°C) 2064W
Refrigerant Charge	R404A/900g
Ice Storage Capacity	Maximum 217kg
Ice Production per 24H	(AT10°C / WT10°C) Approx. 450 kg (AT21°C / WT15°C) Approx. 399kg (AT32°C / WT21°C) Approx. 316 kg

Water Consumption per 24H	(AT32°C/WT21°C) 0.34m <sup>3</sup> (1.1L / kg Ice)
Ice Production Freeze Cycle Time	(AT21°C/WT15°C) 15.5 min
Ice Production per Cycle	(AT21°C/WT15°C) Approx. 4.43kg / 544pcs

**OPERATING CONDITIONS**

Voltage Range	198 - 242 V
Ambient Temperature	5 - 38°C
Water Supply	5 - 32°C
Water Supply Pressure	0.07 - 0.55 Mpa (0.7 - 5.5 bar)
Supply Voltage	1/220 - 240V / 50Hz



**HOSHIZAKI**

**HOSHIZAKI (THAILAND) LIMITED**

No. 99 CP Tower North Park building 9th Floor, Zone D1 Soi Ngamwongwan 47 Intersection 42, Thung Song Hong Subdistrict, Lak Si District, Bangkok 10210 Thailand. TEL +66 2 005 9980 | FAX +66 2 516 2646  
<https://hoshizaki-sea.com>